

How to dispose



1. Turn the housing cap counterclockwise and unscrew the top to remove the battery cover. Dispose of used battery pack conforming to local regulations.
2. Using a hand tool such as screw driver, detach the PCB (Printed Circuit Board) from the used unit. Dispose of the PCB conforming to local regulations.
3. Dispose of remaining plastic components in a designated area. Comply with local regulations for recycling.
4. Do not cut or puncture a used unit to avoid any potential personal injury or hazards.

Shelf Life and Warranty

The shelf life of each Pulsarlube EO unit is 1 year from the date of production. Product warranty is limited to original defects in material and workmanship and will not cover any collateral damage due to mishandling, abuse and /or any other inappropriate use of this product. Warranty period is 1 year from the date of purchase.

How to Order

EO 60 / OL1
EO120 / OL1
EO240 / OL1

Oil Type

Lubricator Model
(Pulsarlube EO, EO60: 60ml, EO120: 120ml EO240: 240ml Capacity)

PULSARLUBE EO

USER MANUAL

Cost Effective,
User Friendly Automatic Oil Lubricator

Specifications

Specifications	Description
Oil Capacity	60, 120, 240ml
Operating Pressure	5kgf/cm ² (70psi)
Operating Temperature	-20°C ~ 55°C (-4°F ~ 131°F)
Product Size	60ml : Ø77mm (3.03") × 92mm (3.62") 120ml : Ø77mm (3.03") × 112mm (4.41") 240ml : Ø77mm (3.03") × 157mm (6.18")
Installation Thread Size	1/4" Male NPT & BSPT compatible
Gas Type	Nitrogen (N ₂) Gas
Available Dispensing Periods	1, 3, 6, 9 & 12 months
Certifications / IP code	CE / ATEX / UL / IP68
Remote Installation	Up to 3m (10 ft.) using a 4mm O.D. pre-filled lube line

NOTE Technical information is subject to change without prior notice.



Models

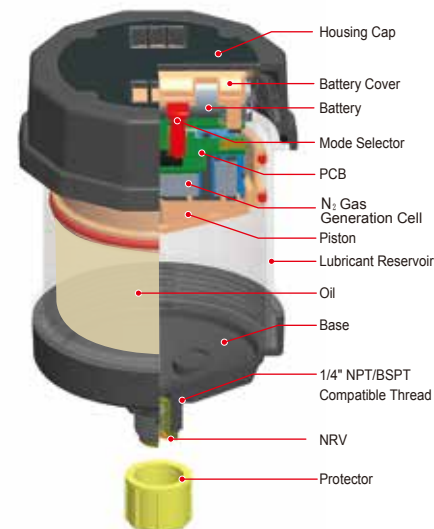
PULSARLUBE EO 60,120,240ml Oil Lubricator

ISO9001/14001 CE

Before Use

Thank you for purchasing the Pulsarlube EO. To ensure the safe operation and proper installation of the Pulsarlube EO unit, we strongly recommend that you read the following information carefully before use. If you require further information, please contact your local supplier or manufacturer.

Product Details



Product Certifications

Certifications		
IECEX	Ex ia IIC T4 Ga IECEX KTL 12.0008X -20°C≤Ta≤+55°C	IEC 60079-0:2007-10 IEC 60079-11:2006
ATEX	CE 0344 Ex ia IIC T4 Ga INERIS 12ATEX0062X -20°C≤Ta≤+55°C	EN 60079-0:2009 EN 60079-11:2007 EN 60079-26:2007
KCs	Ex ia IIC T4 12-KB2BO-0283X -20°C≤Ta≤+55°C	
UL	UL US LISTED E392761	

Warning

- Potential electrostatic charging hazard.
- The cleaning from the PULSARLUBE shall be done with a damp cloth.
- Do not charge, replace, or charge battery cells.

Description

Manufacturer / Address	KLT Co., Ltd. 6-19, Hansan-ro, Tanhyeon-myeon, Paju-si, Gyeonggi-do, Korea
Product Description	Automatic Single Point Lubricator
Product Name	Pulsarlube EO
Type	EO60, EO120, EO240
Trademark	KLT PULSARLUBE

Pulsarlube USA, Inc.

1480 Howard Street, Elk Grove Village, IL 60007, USA
TEL: 1-847-593-5300 FAX: 1-847-593-5303

www.pulsarlube.com / info@pulsarlube.com

Doc No. 1121-000 REV. 140401

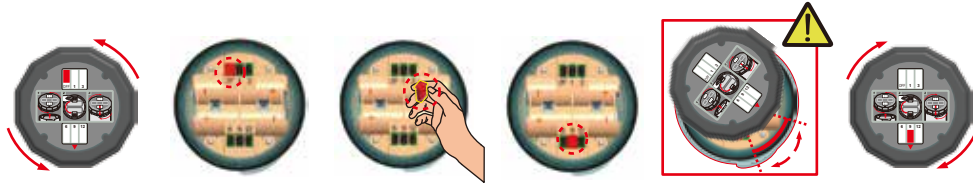
How to use

1



- To install, fill oil to the empty unit or open the protector and insert NRV (Non Return Valve) to the filled unit.
- After inserting NRV, please use PT1/4" F x PT1/8" M adapter (Pulsarlube Part No: A005) for direct mount or apply remote installation kit (Pulsarlube Kit item: C035) for remote installation.
- After inserting NRV, EO can be installed with oil brush kit (Pulsarlube Kit No: C030 or C031) or CLS (Chain Lubrication System).

2 How to set dispensing mode



- Turn the housing cap counterclockwise and unscrew the cap.
- Pull out the red Mode Selector from the default OFF position. To activate the Pulsarlube EO unit, firmly push the Mode Selector into the slot of the selected period from 1, 3, 6, 9, or 12 months.
- The unit will soon start dispensing self-contained lubricant at the desired rate.
 ⚠ To position the window properly, place the ▼ on the housing cap in the area indicated (A).
- Turn the housing cap clockwise until the cap is securely locked in place.

3



Prior to installation, the installation date and scheduled date of expired lube cycle should be logged by the operator on the label of the Pulsarlube EO. Refer back to label of the Pulsarlube EO unit for further identification.

4



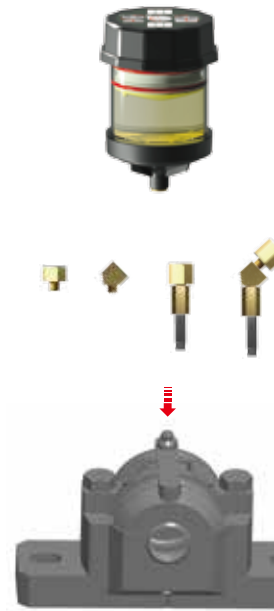
Remove the protector from the output thread and use appropriate adapters to install on the lube point.

⚠ WARNING

- Do not excessively tighten the Pulsarlube E as it may result in permanent damage to the plastic thread.

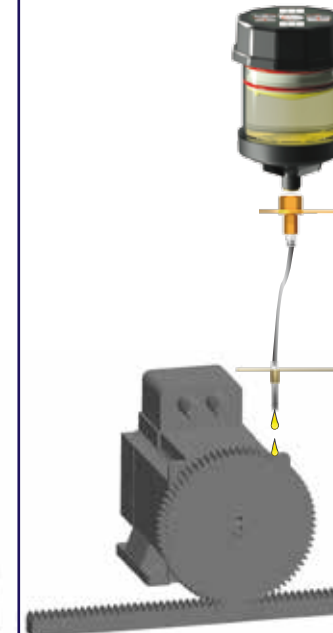
5 Mounting Methods

Direct Mount – Straight & Angle



When there are space restrictions of the application that will not allow a direct straight mount, use a 45° or 90° fitting for Direct Angle Mount.

Direct Mount with Extension Pipe



For applications where a direct straight mount or angle mount is not available, use a straight, 45°, or 90° fitting with extension pipe, e.g. 50mm, 100mm, 150mm etc.

Remote Mount



For remote installation, using accessory kit (No. C035) is convenient, tube length is available up to 3m.

Dispensing Equivalents

Required dispensing volume may vary with individual equipment and operating conditions. It is recommended to select a dispensing period by the maintenance experiences or test results on particular equipment. Contact your local distributor should you need any assistance in setting proper dispensing rates.

Dispensing Period	Dispensing Volume			NOTE
	60ml	120ml	240ml	
1 Month	2.00ml/day	4.00ml/day	8.00ml/day	Dispensing volumes (ml/day) are calculated assuming the lubricator is operating at 20°C/68°F Output will vary with ambient temperature changes, atmospheric pressure changes, viscosity of lubricant, or any resistance or backpressure existing at the lube point
3 Month	0.67ml/day	1.33ml/day	2.66ml/day	
6 Month	0.33ml/day	0.67ml/day	1.33ml/day	
9 Month	0.22ml/day	0.44ml/day	0.89ml/day	
12 Month	0.17ml/day	0.33ml/day	0.67ml/day	

⚠ Warning Pulsarlube EO is disposable unit, please replace with a new unit after setting period is finished.